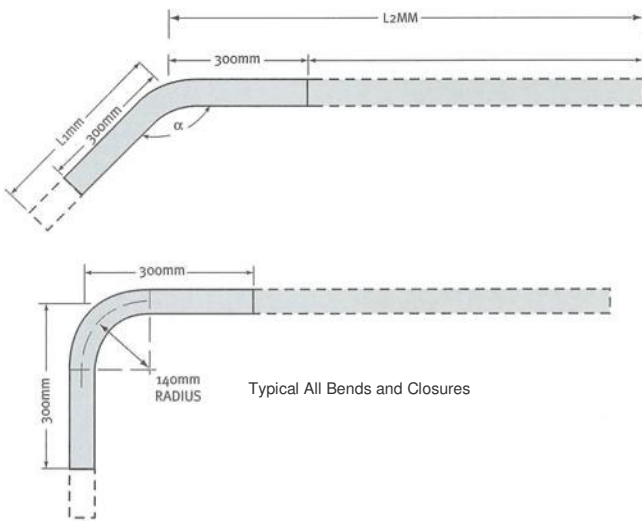


## HORIZONTAL CLOSURE BENDS

STOCK CODE: HCB

NB	OD	WT
32	42.4mm	3.2mm (medium galvanised pipe)

Also available in other pipe sizes by special order



## RAIL BENDS

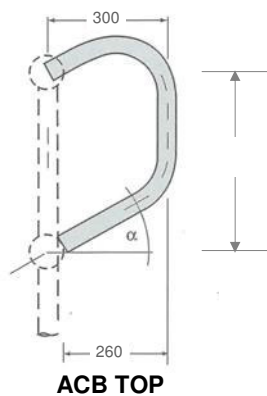
STOCK CODE: RB

	NB	OD	WT
Handrail	32	42.4mm	3.2mm
Knee Rail	25	33.7mm	3.2mm

Standard Leg: 300mm x 300mm

Non-Standard Leg:  $L1 + L2 = <6500$

Typical All Bends and Closures



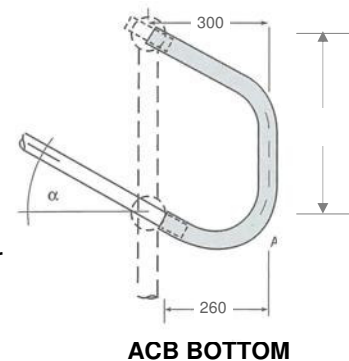
## ANGLE CLOSURE BENDS

STOCK CODE: ACB

NB	OD	WT
32	42.4mm	3.2mm

Also available in other pipe sizes by special order

Available with a value from  $1^{\circ} - 45^{\circ}$



## SLIP JOINTS

### MILD STEEL SLIP JOINTS

Slip20G	Suits 20 NB Rail
Slip25G	Suits 25 NB Rail
Slip32G	Suits 32 NB Rail
Slip40G	Suits 40 NB Rail

### ALUMINIUM SLIP JOINTS

Slip40A	Suits 40 OD Rail
Slip46A	Suits 46 OD Rail